

**Indoor cable-type current transformer**

**Model XH-SCT--T10B**

**Applicable Standard**

- **Rated frequency:** 50/60HZ;
- **Operating temperature:** -40°C~ 55°C;
- **CE & UKCA certification:**

Compliant with EN 61869-1 and EN 61869-2 for low voltage directive;

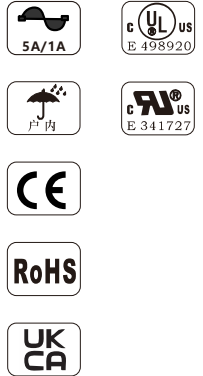
Compliant with EN 61000-6-3 and EN IEC 61000-6-1 electromagnetic compatibility;

• **UL certification 1:**

E341727, reference standard: IEEE C57.13, CAN/CSA-C61869-1, CAN/CSA C61869-2;

• **UL certification 2:**

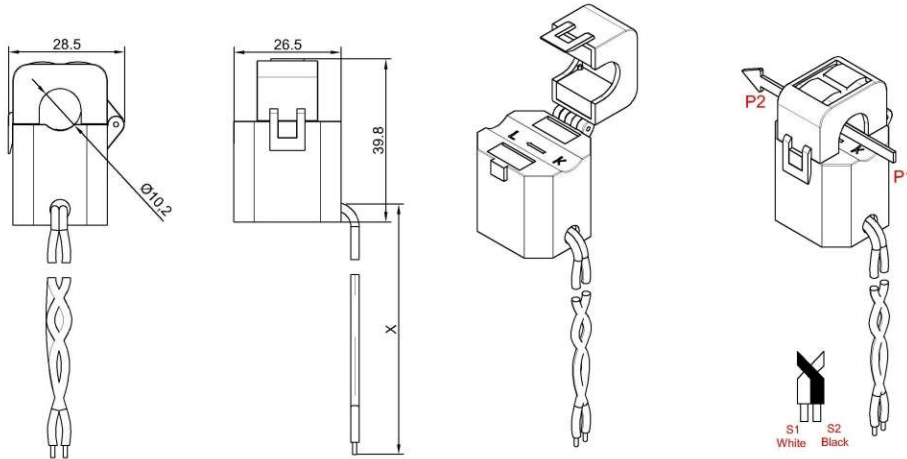
E498920, reference standard: UL2808, CSA C22.2 No. 61010-1-12.



**Applicable Scenario**

- For indoor use;
- Applicable cable specifications:  $\phi 10\text{mm}$ ;
- Applicable primary current: 50-80A;
- Applicable secondary current: mA/mV;
- Nylon material housing, according to UL94-V0 grade;
- Applicable for wire output, black and white double-wire, black and white stranded wire and sheathed wire optional, length customized.

**Reference Dimension**



**Reference Performance**

Model	XH-SCT-T10B-80A/0.5V
Ratio	80A/0.5V
Current range	0.8-80A
Maximum current	100A
Over-voltage protection	6.8V or 12V
Rated phase error	+1.5±1°
Rated ratio error	-1±1%
Insulation class	CAT III 250

**Indoor cable-type current transformer**

**Model XH-SCT--T16**

**Applicable Standard**

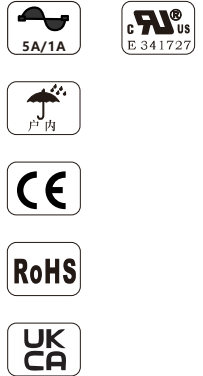
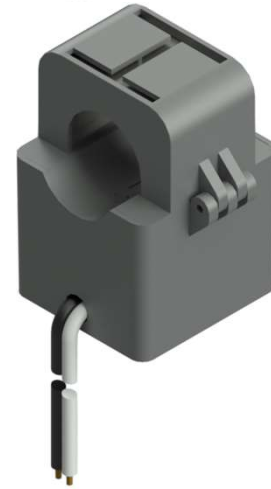
- **Voltage level:** 0.4/0.66/0.72KV;
- **Withstand voltage level:** 2KV/1mA/1Min;
- **Rated frequency:** 50/60HZ;
- **Operating temperature:** -40°C~ 55°C;
- **CE & UKCA certification:**

Compliant with EN 61869-1 and EN 61869-2 for low voltage directive;

Compliant with EN 61000-6-3 and EN IEC 61000-6-1 electromagnetic compatibility;

- **UL certification:**

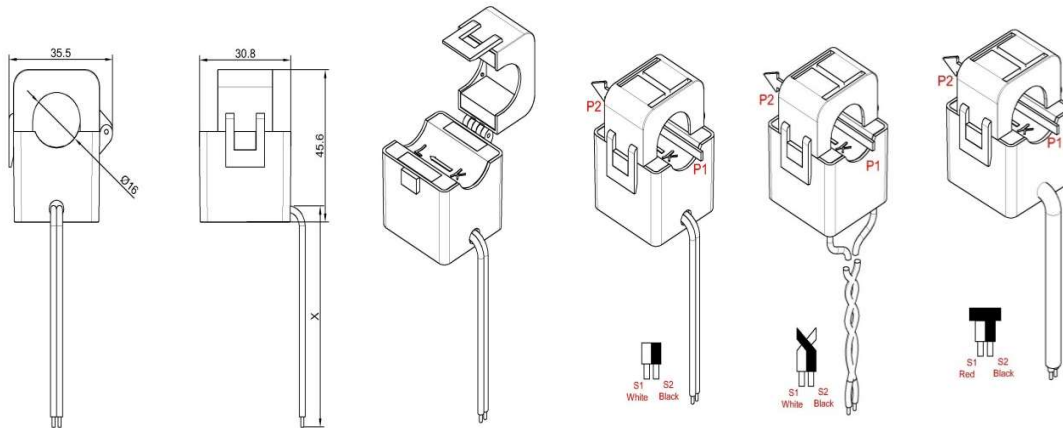
E341727, reference standard: IEEE C57.13, CAN/CSA-C61869-1, CAN/CSA C61869-2.



**Applicable Scenario**

- For indoor use;
- Applicable cable specifications:  $\phi 16\text{mm}$ ;
- Applicable primary current: 50-120A;
- Applicable secondary current: mA/mV;
- Nylon material housing, according to UL94-V0 grade;
- Applicable for wire output, black and white double-wire, black and white stranded wire and sheathed wire optional, length customized.

**Reference Dimension**



**Reference Performance**

Model	XH-SCT-T16-120A/0.5V
Ratio	120A/0.5V
Current range	1.2-120A
Maximum current	144A
Over-voltage protection	6.8V or 12V
Rated phase error	+1.5±1°
Rated ratio error	-1±1%

**Indoor cable-type current transformer**

**Model XH-SCT--T24**

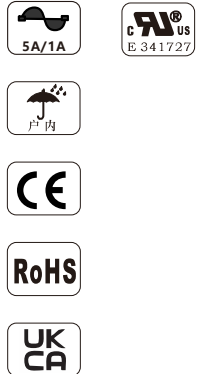
**Applicable Standard**

- **Voltage level:** 0.4/0.66/0.72KV;
- **Withstand voltage level:** 3KV/1mA/1Min;
- **Rated frequency:** 50/60HZ;
- **Operating temperature:** -40°C~ 55°C;
- **CE & UKCA certification:**

Compliant with EN 61869-1 and EN 61869-2 for low voltage directive;

Compliant with EN 61000-6-3 and EN IEC 61000-6-1 electromagnetic compatibility;

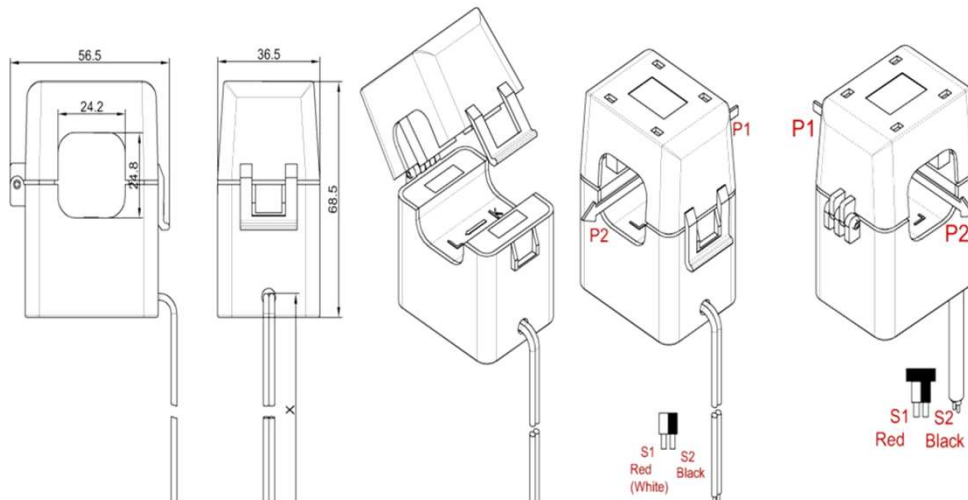
- **UL certification:**  
E341727, reference standard: IEEE C57.13, CAN/CSA-C61869-1, CAN/CSA C61869-2.



**Applicable Scenario**

- For indoor use;
- Applicable cable specifications:  $\phi 24\text{mm}$ ;
- Applicable primary current: 200-300A;
- Applicable secondary current: mA/mV;
- Nylon material housing, according to UL94-V0 grade;
- Applicable for wire output, black and white double-wire, black and white stranded wire and sheathed wire optional, length customized.

**Reference Dimension**



**Reference Performance**

Ratio	300A/0.5V
Current range	0.5-300A
Maximum current	360A
Over-voltage protection	6.8V or 12V
Rated phase error	$+1.5 \pm 1^\circ$
Rated ratio error	$\pm 1\%$